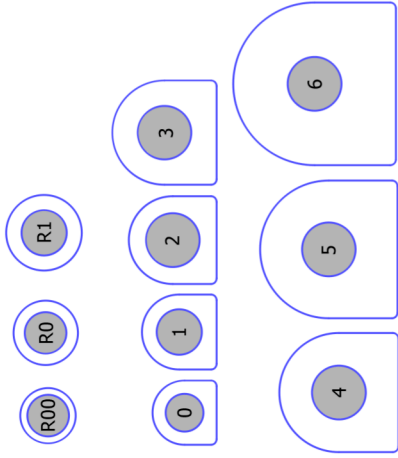


## Metal part in the rubber

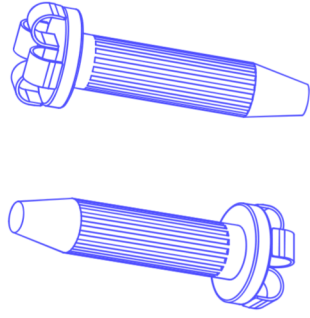
Real measures



sizes R00, R0, 0  
metal insert diameter (in rubber) mm.5.5

sizes R1, 1  
metal insert diameter (in rubber) mm.6.0

sizes 2, 3, 4, 5, 6  
metal insert diameter (in rubber) mm.7.1



Knurled stem diameter:  
- mm.3  
- mm.2.50 (SLIM)

